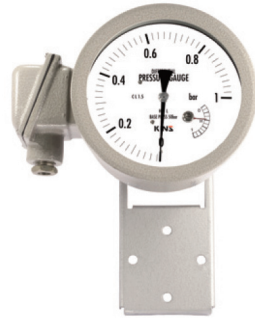


Differential Pressure Gauge (with Micro Switch)

Model No. **KDG-17 Series**

KINS



KDG- 17

Summary

This gauge has a pressure inlet port. The pressure inlet port measures the differential pressure between low pressure side and high pressure side. It also measures warning liquid level of a tank, etc. It is proper in measuring high pressure and corrosive fluid.

Safety Management

- Be sure to install a protecting device where exist abrupt change of pressure, vibration and pulsation.
- Do not give impact during the transportation, installation and usage.
- Be sure to install pressure gauge to be horizontal and vertical.
- Do not use it over than the limitation of switch capacity.

Purpose of Use

- Indicating, warning, controlling of tank level.
- Influx indicating, warning, controlling which applied the pressure differential of orifice line.
- Indicating, warning and controlling of differential pressure of both end sides' filter.

Production Specification

- ▶ **Diameter**
 - 150mm
- ▶ **Accuracy**
 - Grade : $\pm 1.5\%$ of Full Scale
 - Repeatability : $\pm 1.0\%$ of Adj Range
 - Dead Band : $\pm 4.0\%$
- ▶ **Scale Range**
 - 5 ~ 50 kPa, 0 ~ 1 MPa
 - ($\times 1 \text{ MPa} = 10,19716 \text{ kgf/cm}^2$)
- ▶ **Base Press**
 - 5 MPa
- ▶ **Working Pressure**
 - Static pressure : 75% of Full Scale
 - Fluctuating pressure : 60% of Full Scale
- ▶ **Working Temperature**
 - Ambient : $-20 \sim 65^\circ\text{C}$
 - Fluid : $-20 \sim 80^\circ\text{C}$

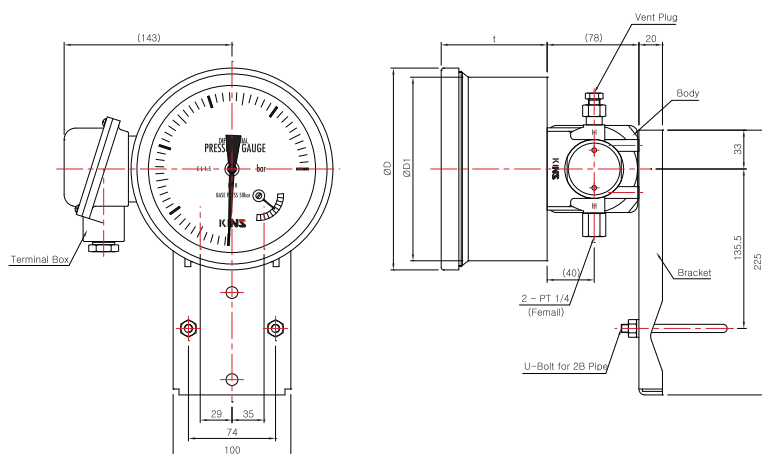
Product Specification

<ul style="list-style-type: none"> + Case <ul style="list-style-type: none"> · Aluminum(Hammer tone coating) + Case Structure <ul style="list-style-type: none"> · Weather Proof + Cover <ul style="list-style-type: none"> · Aluminum (Hammer tone coating) · Body : STS 304, STS 316 + Connection <ul style="list-style-type: none"> · STS 316 · PT \leftrightarrow 1/4(Female) + Window <ul style="list-style-type: none"> · Tempered safety glass, · Laminated safety glass 	<ul style="list-style-type: none"> + Pointer <ul style="list-style-type: none"> · Aluminum · Black coating + Dial <ul style="list-style-type: none"> · Aluminum · White coating · Black gradation and characters + Contact rating <ul style="list-style-type: none"> · AC 125V 5A / 250V 3A · DC 30V 4A / 125V 0.4A / 250V 0.2A + Bellows(Element) <ul style="list-style-type: none"> · STS 316 	<ul style="list-style-type: none"> + Movement <ul style="list-style-type: none"> · STS 304 + Contact Form <ul style="list-style-type: none"> · Micro Contact Type · SPDT * 1, SPDT * 2 (High, Low, High & High High & Low, Low & Low) + Option <ul style="list-style-type: none"> · 3-Way or 5-Way Manifold Valve · Accessories
---	---	---

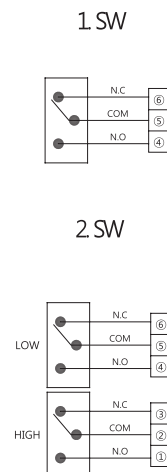
Differential Pressure Gauge (with Micro Switch)

Model No. KDG-17 Series

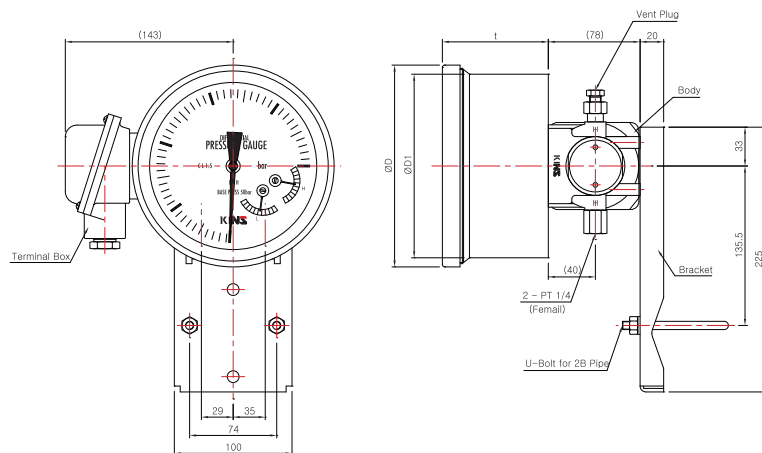
Model No. | KDG- 17 (1P) Bracket For 2B Pipe Type



Connection diagram



Model No. | KDG- 17 (2P) Bracket For 2B Pipe Type



Dimensions (mm)

Model No.	Con'n (d)	ØD	ØD1	t
KDG-17 (1P)	PT 1/4 (Female)	172	156	(90)
KDG-17 (2P)				(117)

*()The measurement in the blanket is approximate.

Pressure Gauge

Differential Pressure Gauge & Switch

Accessories of Pressure Gauge

Thermometer & Thermometer Switch

Thermocouple & R.T.D

Thermowell

Transmitter

Indicator etc.

Technical data